

HAMMER[®] STRENGTH

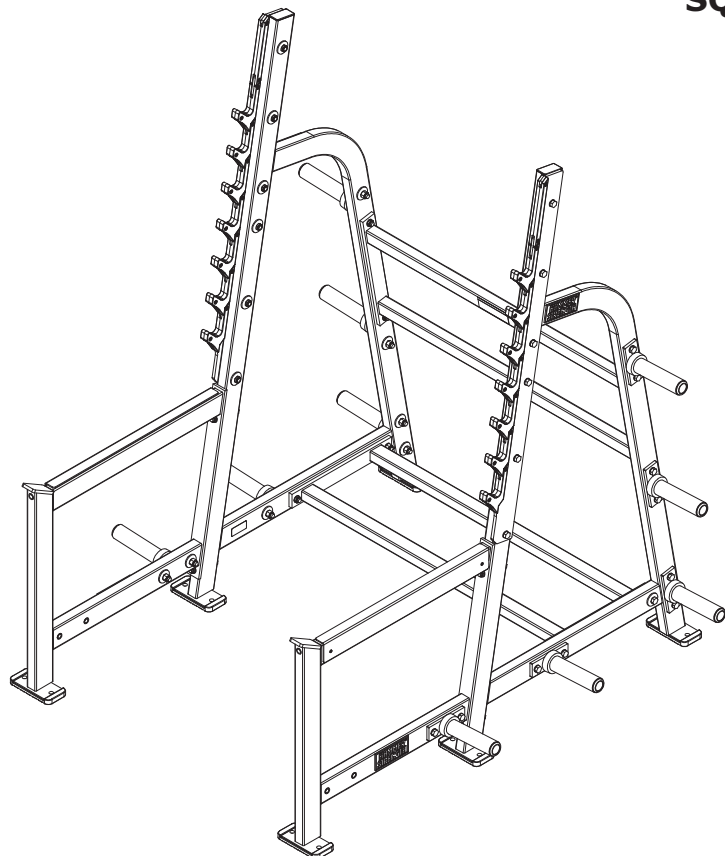
**HAMMER
STRENGTH[®]**

OLYMPIC

PARTS MANUAL

**SQUAT RACK
OSR & O-SR**

7/07/2020



CONTENTS

COMPONENT ASSEMBLY	PAGE 3
FRONT SIDE FRAME ASSEMBLY	4
REAR SIDE FRAME ASSEMBLY	5
GUN RACK ASSEMBLY	6
WEIGHT HORN ASSEMBLY	7

KEY

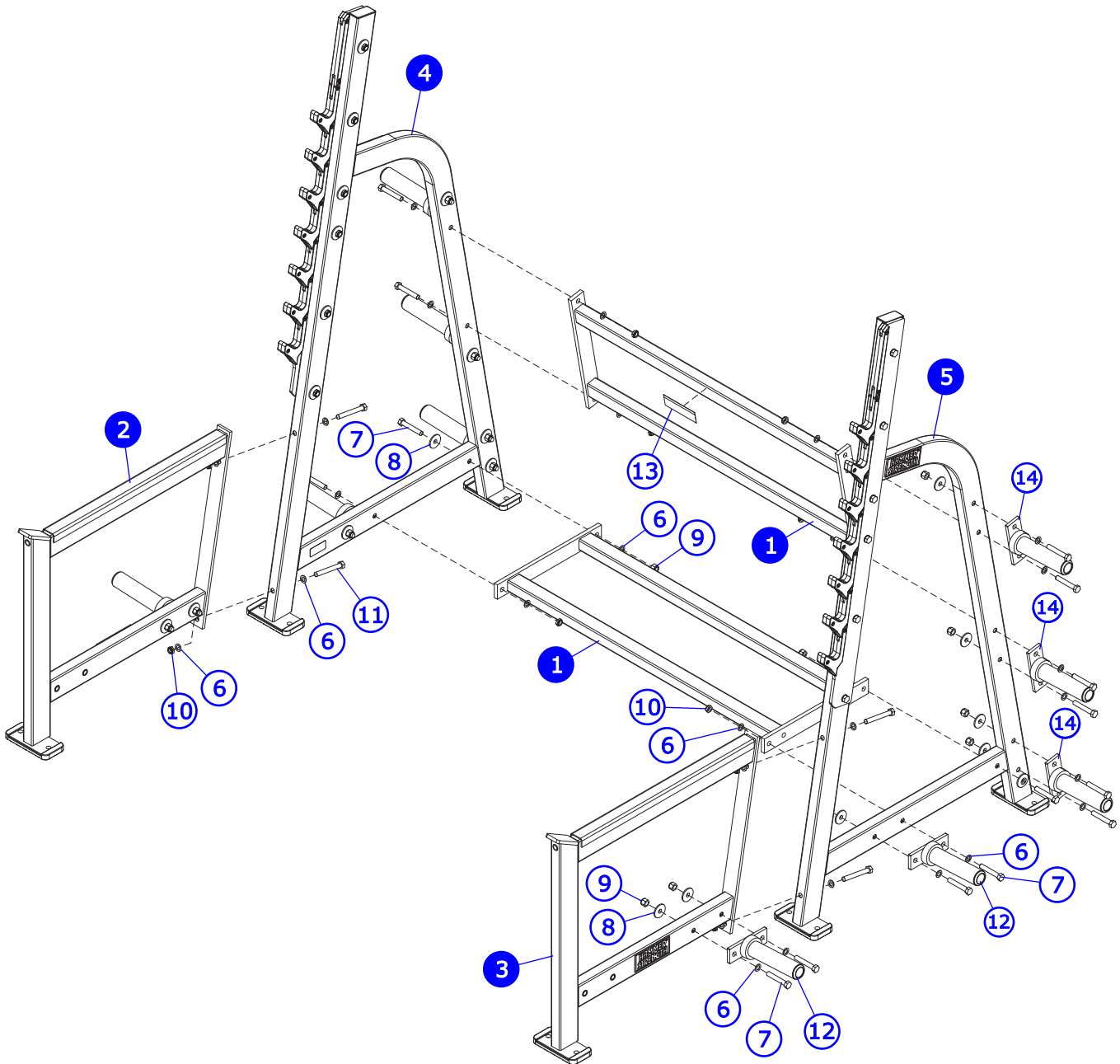
UPHOLSTERY ① ② ③

Items with Gray call-outs require the upholstery color listed within the order notes. IE: Putty

FRAME AND MOVEMENT ARM COLORS ① ② ③

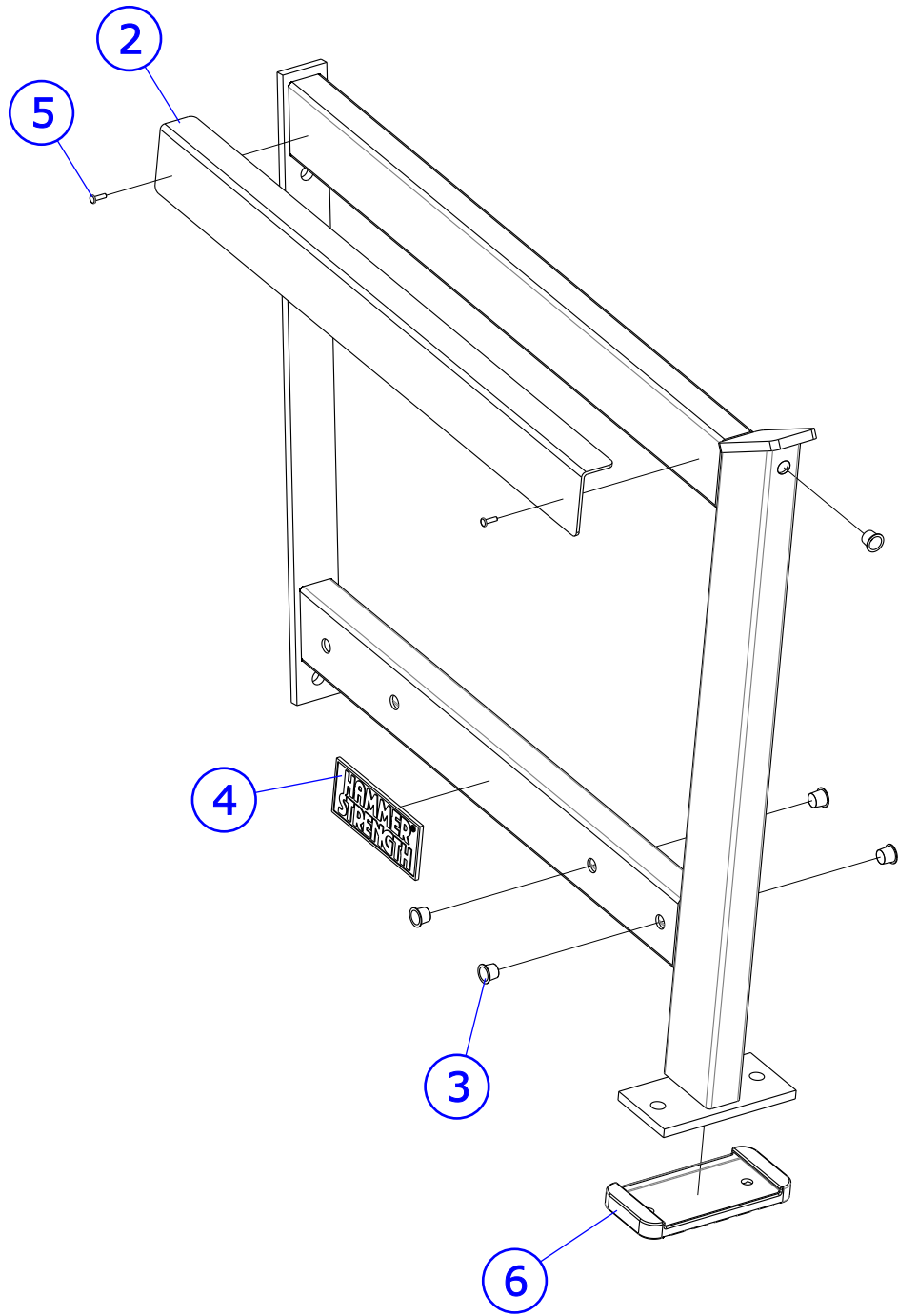
Items with Blue call-outs require the powder coat frame color to be listed within the order notes.

COMPONENT ASSEMBLY



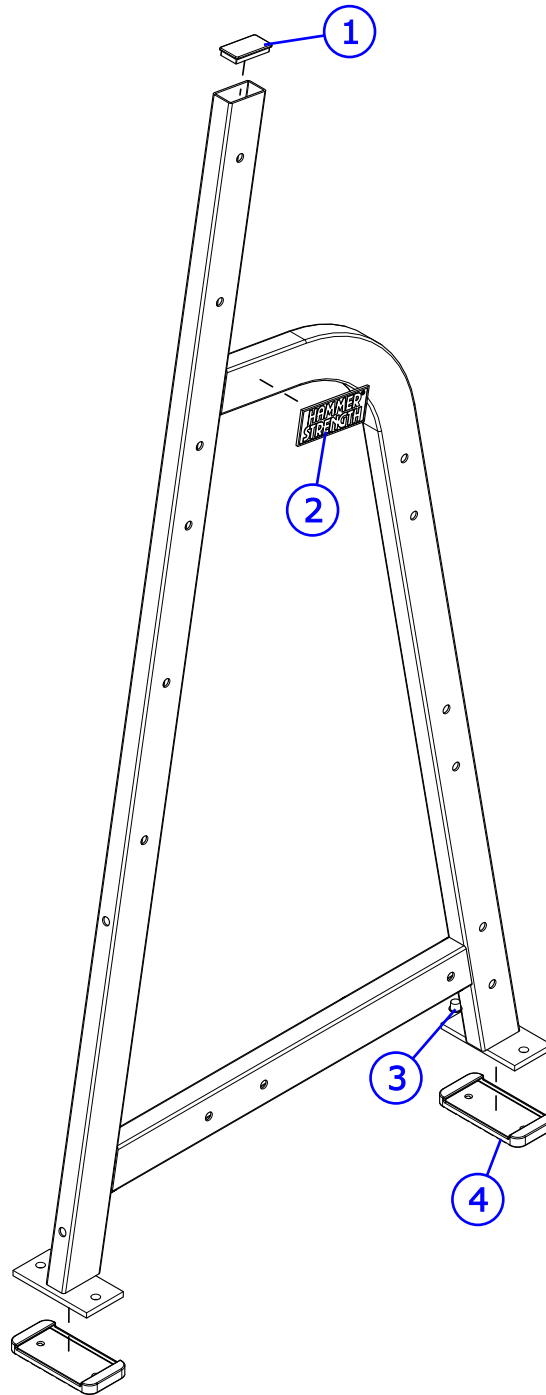
ITEM NO.	QTY.	PART NO.	DESCRIPTION
1	2	OSR-BX	WLDMT, BACK FRAME, OSR
2	1	OSR-CFSFL	ASSY, FRONT SIDE FRAME, LEFT, OSR
3	1	OSR-CFSFR	ASSY, FRONT SIDE FRAME, RIGHT, OSR
4	1	OSR-CRSFL	ASSY, REAR SIDE FRAME, LEFT, OSR
5	1	OSR-CRSFR	ASSY, REAR SIDE FRAME, RIGHT, OSR
6	36	WASH.5STAR	1/2" INTERNAL LOCK WASHER
7	22	HHB.5X3	1/2 X 3 BOLT
8	16	H-BACK-WASH	BACKING WASHER
9	16	NUT.5LOCK	1/2 DIA THICK LOCK NUT
10	10	NUT.5JAMLOCK	1/2 THIN LOCK NUT
11	4	HHB.5X4	1/2 X 4 BOLT
12	4	1002183-0001	ASSY, WEIGHT HORN -HRZNTL
13	1	8758401	FIXED BENCH WARNING DECAL
14	6	1002178-0001	ASSY, WEIGHT HORN

FRONT SIDE FRAME ASSEMBLY



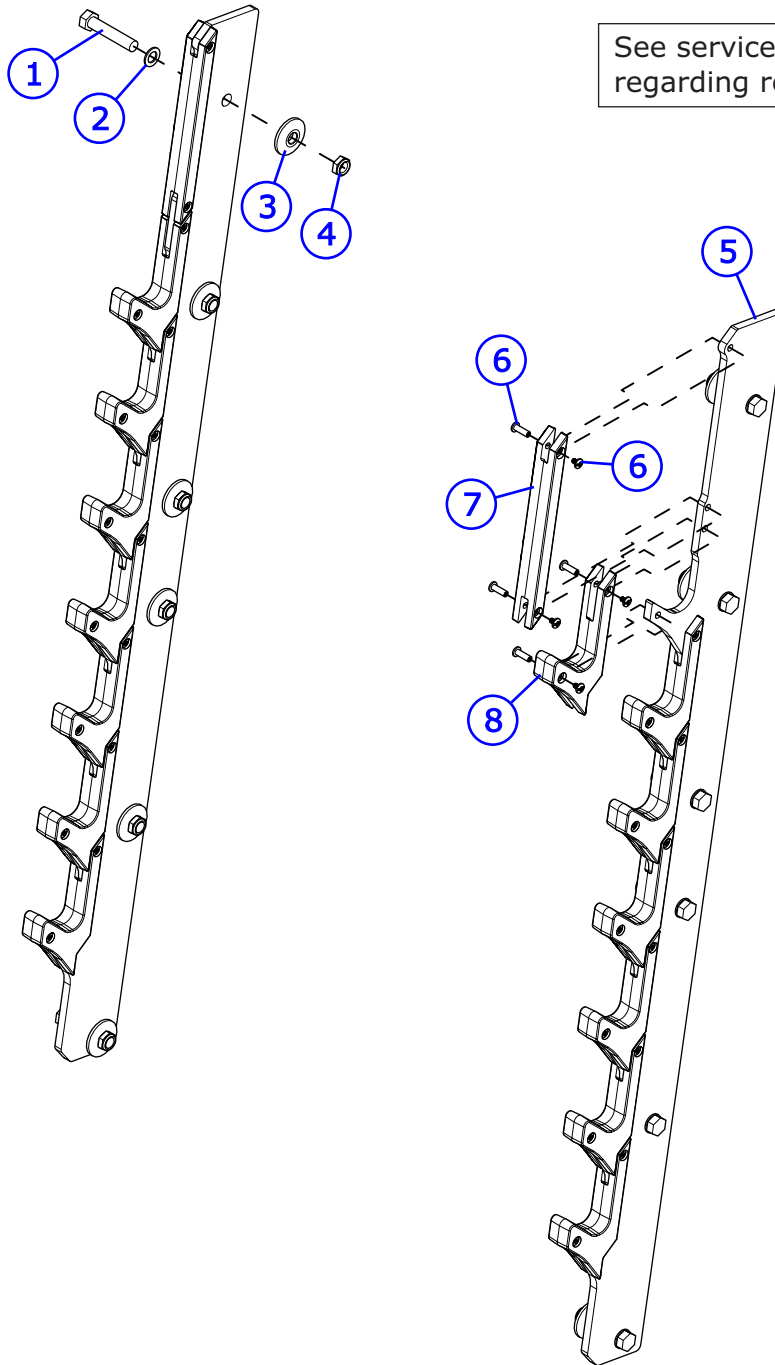
ITEM NO.	QTY.	PART NO.	DESCRIPTION
2	1	1005030-0003	H-L-GUARD 27.75 INCH
3	5	H-PLUG (REG)	HOLE PLUG
4	1	H-NAMEPLATE	HAMMER STRENGTH BADGE
5	2	RIVET	RIVET 5/32 X 3/8
6	1	MM-9	3 X 6 FLANGE RUBBER SLIPPER

REAR SIDE FRAME ASSEMBLY



ITEM NO.	QTY.	PART NO.	DESCRIPTION
1	1	RC1530-1Q1	CAP:1-1/2 X 3 RECTANGLE PLUG
2	1	H-NAMEPLATE	HAMMER STRENGTH BADGE
3	1	H-PLUG (REG)	HOLE PLUG
4	2	MM-9	3 X 6 FLANGE RUBBER SLIPPER

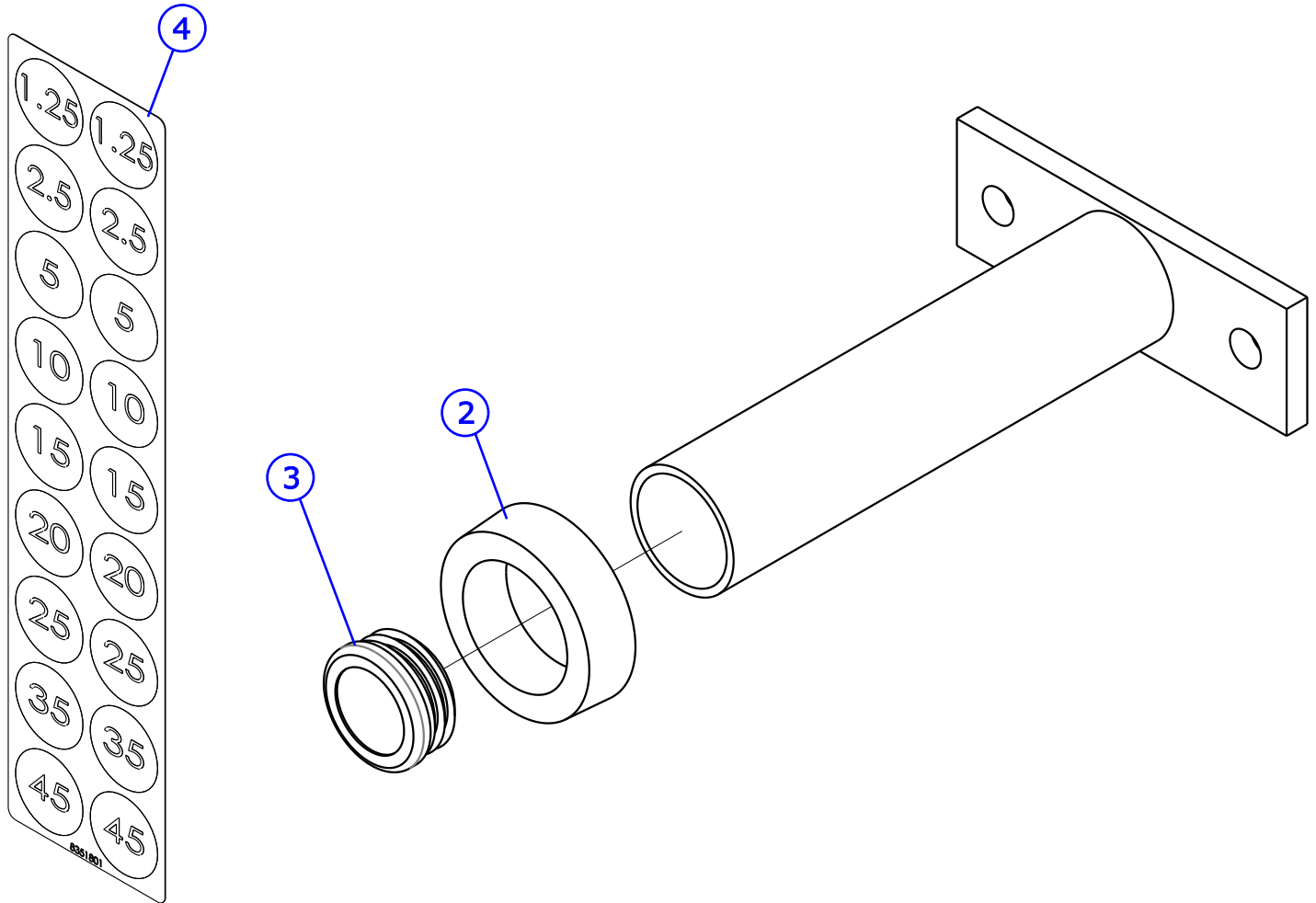
GUN RACK ASSEMBLY - 1010186-0001



See service bulletin OFW18030501 regarding replacement kits

ITEM NO.	QTY.	PART NO.	DESCRIPTION
1	12	HHB.5X2.5	1/2 X 2-1/2 BOLT
2	12	WASH.5STAR	1/2 INTERNAL LOCK WASHER
3	12	H-BACK-WASH	BACKING WASHER
4	12	NUT.5JAMLOCK	1/2 THIN LOCK NUT
5	2	1003675-0093	PLATE, O-SR, GUN RACK -HWG
6	32	1003822-0001	BINDING POST, 10-24
7	2	1010117-0001	GUARD: GUN RACK TOP
8	14	1010118-0001	GUARD: GUN RACK

WEIGHT HORN ASSEMBLY



ITEM NO.	QTY.	PART NO.	DESCRIPTION
2	1	H-RUBRNG	MM5 RING
3	1	H-RUBCAP2	PLUG, HAMMER WEIGHT HORN
LABEL NOT INCLUDED IN ASSEMBLY			
4	-	8351801	LABEL, WEIGHT HORN, SHEET